

20
NEW
17

CROSSCENTRIC™ CAM TECHNOLOGY

The TRX features a newly designed Crosscentric Cam that takes efficiency to the next level, generating speeds up to 332 fps.

DUAL BRIDGED RISER

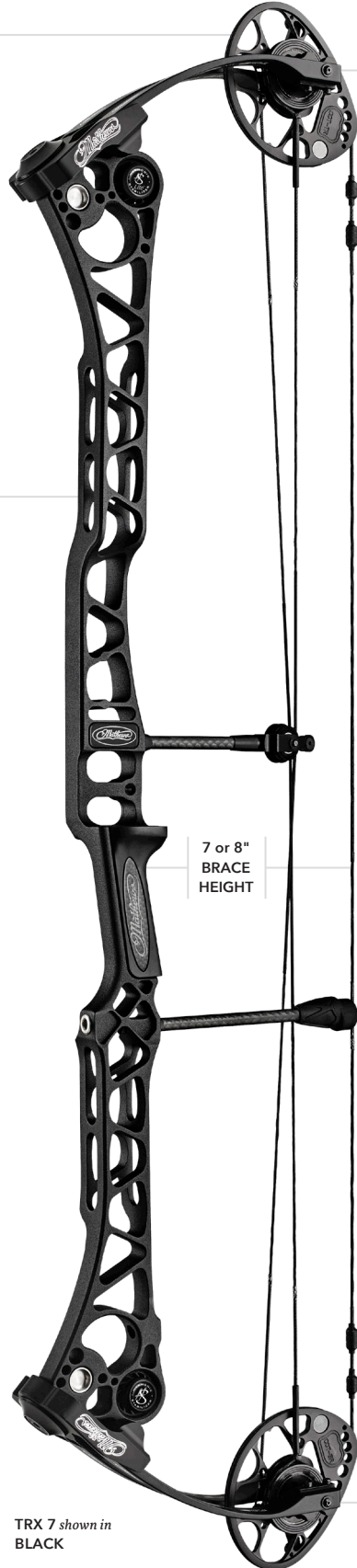
The dual bridged riser design is built for maximum durability.

TRUE CENTER NOCKING POINT

A true center nocking point ensures straight and level nock travel, further enhancing shot-to-shot accuracy.

ADVANCED VECTORING SYSTEM®

During the draw cycle, the single-sided AVS® technology vectors forces to maintain cam synchronization, enhance energy storage and increase efficiency.



TRX 7 shown in BLACK

INTRODUCING **trx**

Built with the indoor archer in mind, the TRX comes in at 40 inches axle-to-axle and brace-height variations of 7 and 8 inches, offering superior stability and forgiveness on the range.

IBO RATING

7" BH - 332 FPS

8" BH - 322 FPS

DRAW LENGTHS

7" BH - 23 - 30"

8" BH - 24 - 31"

DRAW WEIGHT

50, 60, 70 LBS

MSRP

\$1,799



WHITE

RED

BLUE



| visit mathewsinc.com for more information |

20
NEW
17

INTRODUCING HALON X COMP™

The 2017 Halon X Comp is our most versatile target bow to date with a 37 inch axle-to-axle design and draw lengths ranging 26 inches to 32 inches.

IBO RATING

330 FPS

DRAW LENGTHS

26 - 32"

DRAW WEIGHT

50, 60, 70 LBS

MSRP

\$1,399

CROSSCENTRIC™ CAM TECHNOLOGY

The new Halon X Comp features a new generation of the perimeter weighted Mini-Crosscentric Cam, generating speeds up to 330 fps.

TRUE CENTER NOCKING POINT

A true center nocking point ensures straight and level nock travel, further enhancing shot-to-shot accuracy.

ADVANCED VECTORING SYSTEM®

During the draw cycle, AVS® technology vectors forces to maintain cam synchronization, enhance energy storage and increase efficiency.

DUAL BRIDGED RISER

The dual bridged riser design is built for maximum durability.

37"
ATA

7"
BRACE
HEIGHT

Shown in
BLACK



WHITE

YELLOW

RED

BLUE

STONE



| visit mathewsinc.com for more information |